

W&C TA ORDERING GUIDE

This ORDERING GUIDE is intended to assist you in the selection of W&C TA Series for Trailer.

For comprehensive information on other available W&C models, options and pricing, contact W&C CUSTOMER SERVICE at 800.445.0736 (US and Canada) or wc-customerservice@wcsuspensions-intl.com. Your W&C Customer Service Representative can help you complete this form.

COMPANY:		NAME:	
EMAIL:		TELEPHONE / FAX:	

WARNING! FAILURE TO PROVIDE ALL OF THE INFORMATION REQUESTED IN THIS FORM WILL PREVENT W&C FROM PROVIDING YOU WITH A CONFIGURED PART AND PRICE QUOTE. EACH STEP IN THIS FORM REQUIRES YOUR INPUT!

UNDER MOUNT



TOP MOUNT



LOW MOUNT



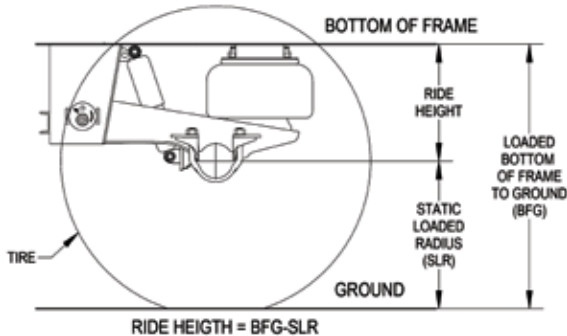
RIDE HEIGHT

SUSPENSION CAPACITY: 25,000 LBS.

SUSPENSION CAPACITY: 30,000 LBS.

SUSPENSION MODEL	RIDE HEIGHT
<input type="checkbox"/> TA250U20 - UNDER MOUNT (5.50 - 14.00)	
<input type="checkbox"/> TA250T20 - TOP MOUNT (14.00 - 19.00)	
<input type="checkbox"/> TA250L20 - LOW MOUNT (14.00 - 19.00)	
<input type="checkbox"/> TY250U09 - YOKE MOUNT (5.50 - 9.00)	

SUSPENSION MODEL	RIDE HEIGHT
<input type="checkbox"/> TA300U09 - UNDER MOUNT (6.50 - 17.00)	
<input type="checkbox"/> TA300T20 - TOP MOUNT (15.00 - 24.00)	
<input type="checkbox"/> TA300L20 - LOW MOUNT (14.00 - 24.00)	
<input type="checkbox"/> TY300U09 - YOKE MOUNT (6.50 - 9.00)	



FRAME BRACKET FINISH

PAINTED (STANDARD)

NO PAINT

GALVANIZED

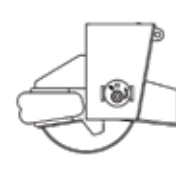
LIFT TYPE

NO LIFT (STANDARD)

UNDER BEAM LIFT

FRONT BEAM LIFT

CENTER LIFT



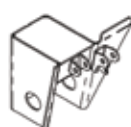
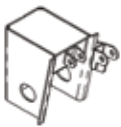
FRAME BRACKET MOUNTING TYPE

WELD-ON (STANDARD)

BOLT-ON

WELD-ON WING

BOLT-ON WING



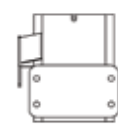
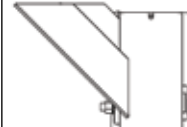
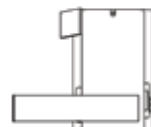
SUPPORT TYPE

C-CHANNEL (STANDARD)

GUSSETS

BOLT-ON

CUSTOMER SUPPLIED



PIVOT CONNECTION TYPE

ALIGN-TRAC (STANDARD)

ECCENTRIC

WELD-ON

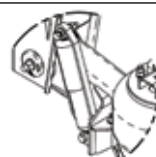
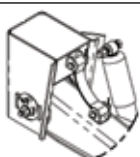


STRAP TYPE

LESS STRAP (STANDARD)

STRAP

STRAP OVER SHOCK

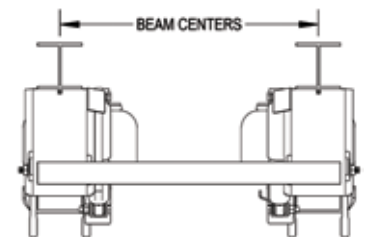


BEAM CENTERS

35.00" STANDARD FOR 96" WIDE TRAILER 71.50" AXLE TRACK

41.00" STANDARD FOR 102" WIDE TRAILER 77.50" AXLE TRACK

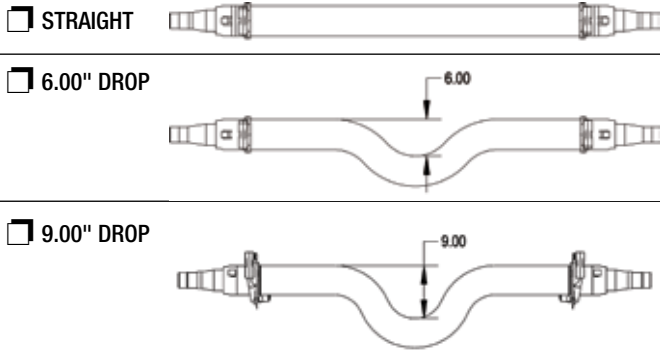
OTHER



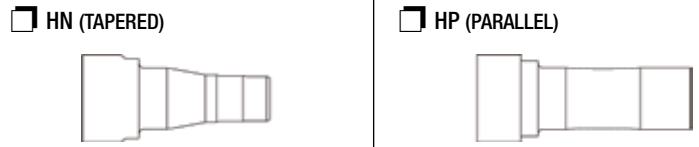
**FOR TA KITS, STOP HERE.
FOR TA ASSEMBLY, GO TO PAGE 2**

TA ORDERING GUIDE

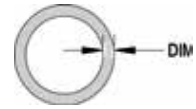
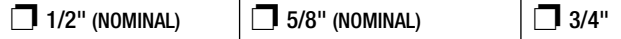
AXLE TYPE



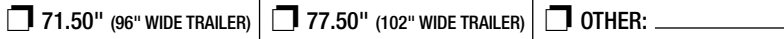
SPINDLE TYPE



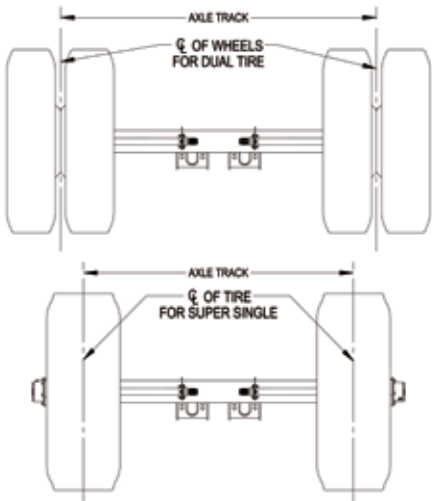
AXLE WALL



AXLE TRACK



AXLE TRACK FROM 60" TO 120" IN 1/2" INCREMENTS




STRAIGHT AXLE CAPACITY

SPINDLE TYPE	SUSPENSION	AXLE DIAMETER	1/2" NOM. WALL	5/8" NOM. WALL	3/4" WALL
HN	AIR RIDE	5" ROUND	NOT ALLOWED	UP TO 22,500	UP TO 25,000
HP	AIR RIDE	5" ROUND	NOT ALLOWED	UP TO 22,500	UP TO 25,000

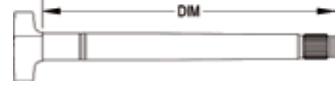
NOTES: _____

DRUM BRAKE OPTIONS

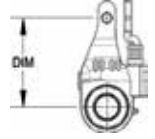
BRAKE CHAMBER BRACKET					
<input type="checkbox"/> STANDARD					
					
DRUM BRAKE TYPE					
BRAKE LINING	<input type="checkbox"/> H20 (STANDARD)			<input type="checkbox"/> H23	
BRAKE SIZE	<input type="checkbox"/> 12.25"×7.50"	<input type="checkbox"/> 16.50"×7.00"	<input type="checkbox"/> 16.50"×8.63"	<input type="checkbox"/> 16.50"×7.00"	<input type="checkbox"/> 16.50"×8.63"
BRAKE MODEL	HXS*	<input type="checkbox"/> STANDARD <input type="checkbox"/> HXS*	HXS*	<input type="checkbox"/> STANDARD <input type="checkbox"/> HXS*	HXS*
PARKING CHAMBERS	<input type="checkbox"/> TYPE 30/30 <input type="checkbox"/> NONE	<input type="checkbox"/> TYPE 30/30 <input type="checkbox"/> NONE	<input type="checkbox"/> TYPE 30/30 <input type="checkbox"/> NONE	<input type="checkbox"/> TYPE 30/30 <input type="checkbox"/> NONE	<input type="checkbox"/> TYPE 30/30 <input type="checkbox"/> NONE
SERVICE CHAMBERS	<input type="checkbox"/> TYPE 30 <input type="checkbox"/> NONE	<input type="checkbox"/> TYPE 30 <input type="checkbox"/> NONE		<input type="checkbox"/> TYPE 30 <input type="checkbox"/> NONE	
BRAKE CHAMBER VENDOR	<input type="checkbox"/> STANDARD <input type="checkbox"/> VENDOR: _____				

* HXS - EXTENDED LIFE SHOES

S-CAM TYPE	
S-CAM LENGTH	<input type="checkbox"/> 23.75" (STANDARD) <input type="checkbox"/> 26.50" (LONG CAMS)* <input type="checkbox"/> OTHER (6.63" MIN - 35.5" MAX): _____
CAM TUBE	<input type="checkbox"/> NONE (STANDARD) <input type="checkbox"/> YES



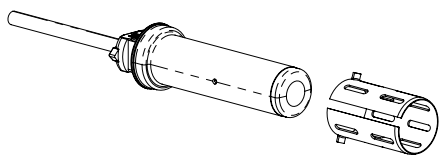
SLACK ADJUSTER TYPE	
SLACK ADJUSTER LENGTH	<input type="checkbox"/> 6.0" (STANDARD) <input type="checkbox"/> 5.5" <input type="checkbox"/> NONE



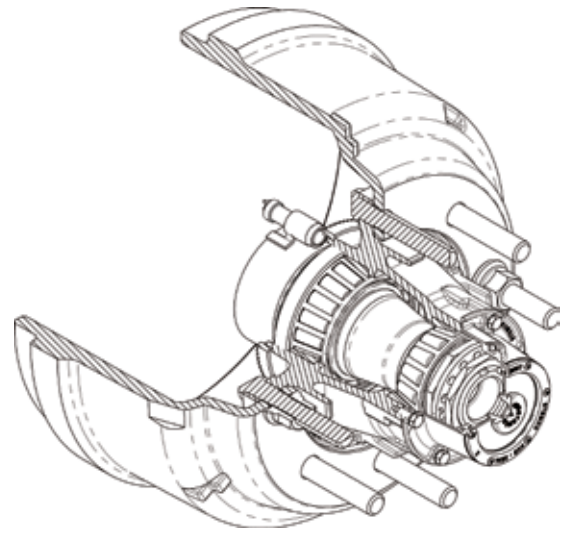
DUST SHIELD	
<input type="checkbox"/> NONE (STANDARD)	<input type="checkbox"/> YES

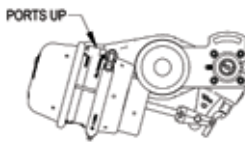
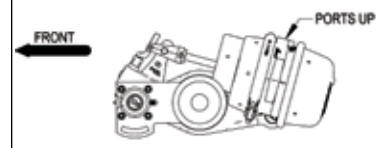


ABS SENSOR	
<input type="checkbox"/> NONE	<input type="checkbox"/> YES



DRUM BRAKE WHEEL-END			
	<input type="checkbox"/> STANDARD	<input type="checkbox"/> CONMET PRESET PLUS	<input type="checkbox"/> LESS WHEEL-END
HUB MATERIAL	<input type="checkbox"/> DUCTILE IRON (STANDARD) <input type="checkbox"/> ALUMINUM <input type="checkbox"/> DURA-LIGHT HUB	<input type="checkbox"/> DUCTILE IRON (STANDARD) <input type="checkbox"/> ALUMINUM	N/A
DRUM MATERIAL	<input type="checkbox"/> DUCTILE IRON (STANDARD) <input type="checkbox"/> LIGHT WEIGHT	<input type="checkbox"/> DUCTILE IRON (STANDARD) <input type="checkbox"/> LIGHT WEIGHT	N/A
HUB STYLE	HUB PILOT	HUB PILOT	N/A
NUMBER OF STUDS - BOLT CIRCLE DIA.	<input type="checkbox"/> 10 - 11.25" (STANDARD) <input type="checkbox"/> 10 - 335MM <input type="checkbox"/> 8 - 275MM (12.25"×7.50")	<input type="checkbox"/> 10 - 11.25" (STANDARD)	N/A
STUD LENGTH	<input type="checkbox"/> LONG STUD <input type="checkbox"/> SHORT STUD	<input type="checkbox"/> LONG STUD <input type="checkbox"/> SHORT STUD	N/A
LUBE TYPE	<input type="checkbox"/> SAE 80W/90 (STANDARD) <input type="checkbox"/> SYNTHETIC 75W/90 <input type="checkbox"/> SEMI-FLUID GREASE	<input type="checkbox"/> SAE 80W/90 (STANDARD) <input type="checkbox"/> SYNTHETIC 75W/90 <input type="checkbox"/> SEMI-FLUID GREASE	N/A
LUBE INSTALLED	<input type="checkbox"/> YES (STANDARD) <input type="checkbox"/> NO	<input type="checkbox"/> YES (STANDARD)	N/A
SPINDLE NUT	<input type="checkbox"/> 3-PIECE (STANDARD) <input type="checkbox"/> PRO-TORQUE NUT	(CONMET INCLUDED)	N/A
ABS TONE RING	INSTALLED	INSTALLED	N/A



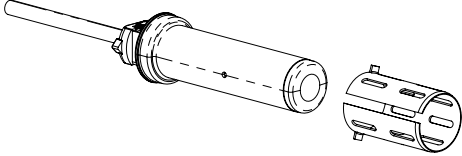
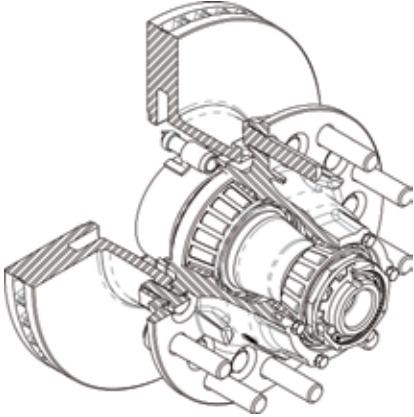
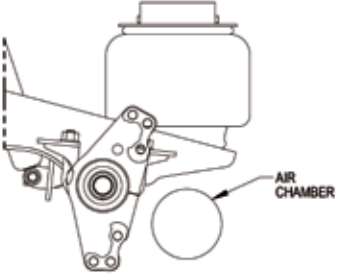
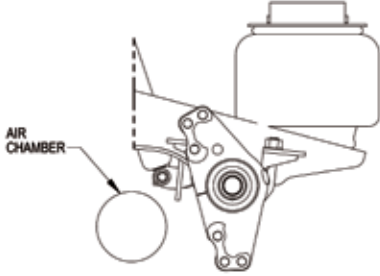
AXLE ROTATION	
<input type="checkbox"/> BR1 (STANDARD)	<input type="checkbox"/> BR2
	

NOTES: _____

* NOT AVAILABLE ON 71.5" TRACK

TA ORDERING GUIDE

AIR DISC BRAKE OPTIONS*

AIR DISC BRAKE			AIR DISC BRAKE WHEEL-END		
AXLE VENDOR	<input type="checkbox"/> WABCO PAN22	<input type="checkbox"/> KNORR / BENDIX ADB22X-LT	<input type="checkbox"/> STANDARD	<input type="checkbox"/> CONMET PRESET	
PAD / LINING	WABCO 230	BX276	HUB MATERIAL	DUCTILE IRON	ALUMINUM
ABS TONE RING DUST SHIELD	REQUIRED	REQUIRED	NUMBER OF STUDS - BOLT CIRCLE DIA.	10" - 11.25"	10" - 11.25"
ROTOR BRAND / MATERIAL	430MM CAST IRON	430MM CAST IRON	STUD LENGTH	<input type="checkbox"/> LONG STUD <input type="checkbox"/> SHORT STUD	<input type="checkbox"/> LONG STUD <input type="checkbox"/> SHORT STUD
PARKING CHAMBER	<input type="checkbox"/> TYPE 20/24	<input type="checkbox"/> TYPE 18/24	LUBE TYPE	<input type="checkbox"/> SAE 80W/90 (STANDARD) <input type="checkbox"/> SEMI-FLUID GREASE	<input type="checkbox"/> SAE 80W/90 (STANDARD) <input type="checkbox"/> SEMI-FLUID GREASE
SERVICE CHAMBER	<input type="checkbox"/> TYPE 20	<input type="checkbox"/> TYPE 18	LUBE INSTALLED	<input type="checkbox"/> YES (STANDARD) <input type="checkbox"/> NO	INSTALLED
ABS SENSOR			SPINDLE NUT	3-PIECE (SET SCREW)	(CONMET INCLUDED)
<input type="checkbox"/> NONE		<input type="checkbox"/> YES	ABS TONE RING	INSTALLED	(CONMET INCLUDED)
					
AXLE ROTATION					
<input type="checkbox"/> BRA (STANDARD)		<input type="checkbox"/> BRB			
					

NOTES: _____

* AIR DISC BRAKE ONLY AVAILABLE FOR TA TOP MOUNT

Actual product performance may vary depending upon vehicle configuration, operation, service and other factors.
 All applications must comply with applicable specifications from Watson & Chalin and the respective vehicle manufacturer.
 Contact Watson & Chalin for additional details regarding specifications, applications, capacities, and operation, service and maintenance instructions.

Contact Watson & Chalin at 972.547.6020 for additional information.



W&C
 725 E. University Drive, McKinney, Texas 75069
 972.547.6020 • 800.445.0736 • Fax 972.542.0097
www.wcsuspensions-intl.com

