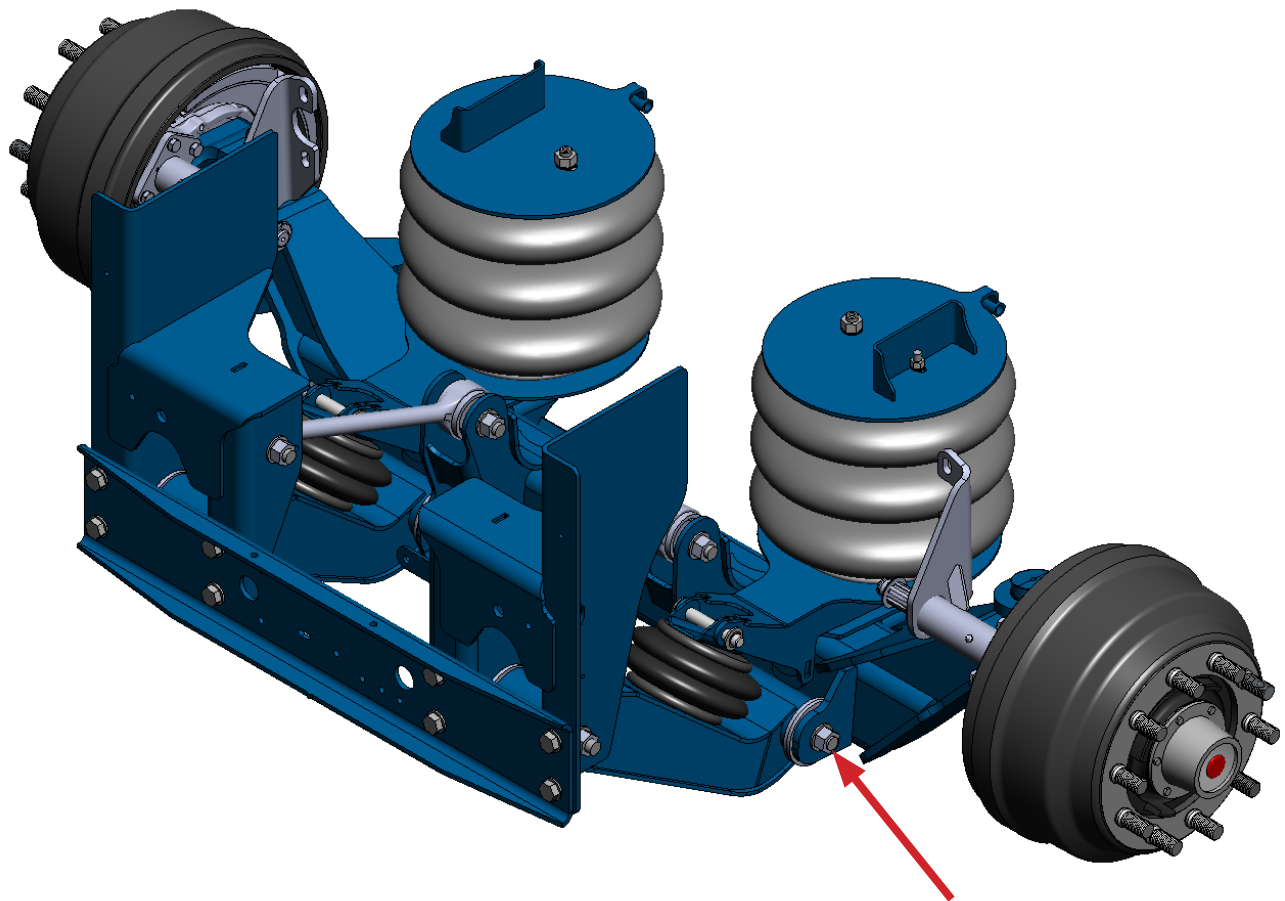
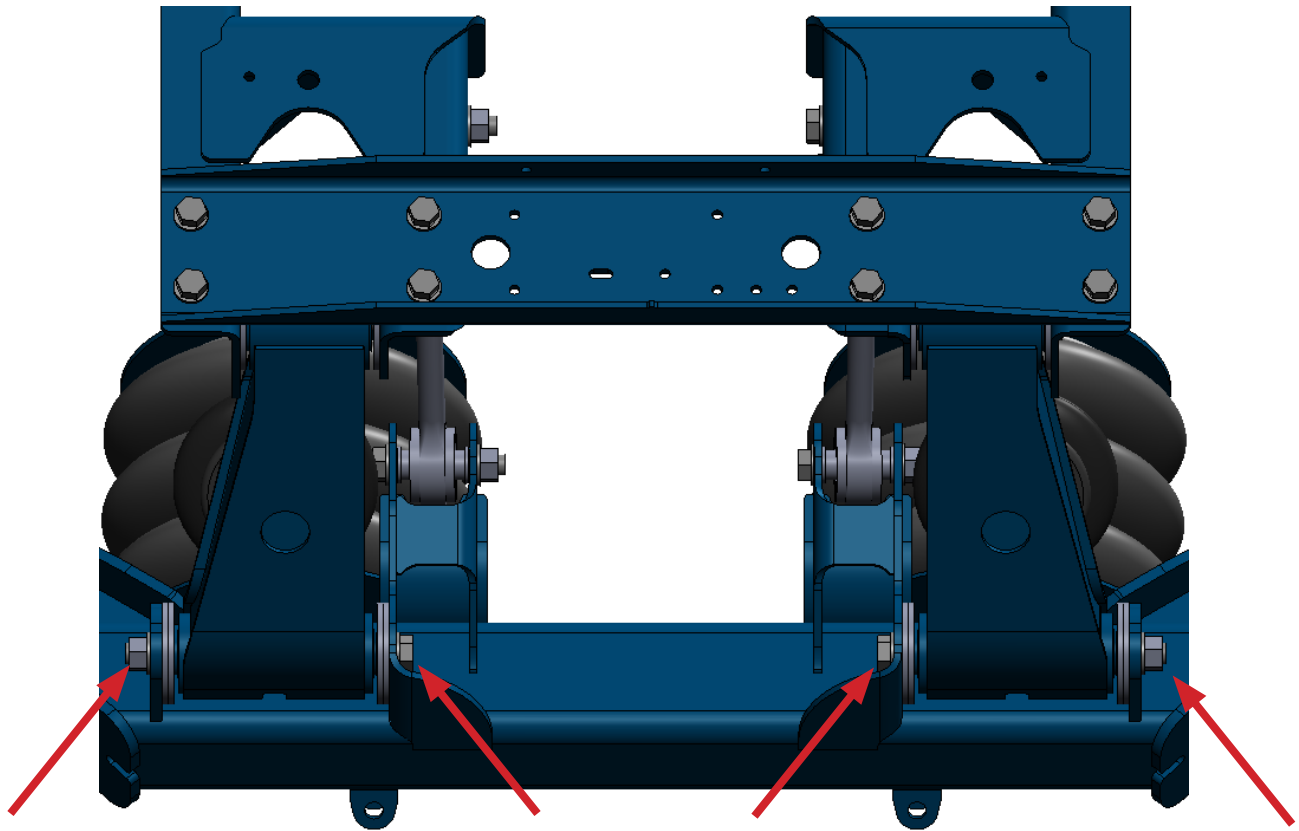


Watson & Chalin Manufacturing, Inc. ("W&C") has decided that a defect which relates to motor vehicle safety exists in a limited number of SL2065 20,000-pound rated capacity steerable auxiliary lift axle suspension systems. These SL2065 suspension systems were manufactured between June 1, 2019 and April 30, 2020.

These suspensions may be equipped with lower rear pivot capscrews that are not long enough to sufficiently engage the locking feature of the corresponding nuts.

In some cases, this condition may cause a loss of clamp load of the corresponding pivot joint. Extended use of the suspension in this condition can result in the fracture or loss of the cap screw and related washers and nut. This can further result in foreign object debris on the roadway, increasing the risk of a crash and / or injury. W&C has not received any field reports of accidents due to a cap screw fracture or loss.





Possible warning signs that may appear before a lower rear pivot cap screw fracture or loss include an insufficient number of cap screw threads extending beyond the end of the pivot nut, a missing pivot nut, failure of the suspension to lift or lower properly, and suspension noise and vibration.

W&C recommends owners of any vehicles equipped with the above-referenced SL2065 suspension systems order a replacement lower rear pivot fastener hardware kit, W&C Part Number SRK2065WAR-001. The replacement fasteners should be installed using the instructions provided in W&C Technical Bulletin Number W&C264 (SL2065 Pivot Fastener Installation), also included in the replacement kit.

**NOTE: If any of the existing lower rear pivot capscrews currently equipped on suspensions are loose or damaged, the vehicle should not be further operated until the replacement cap screws are installed.**

If you have any questions, contact W&C Customer Service:

Watson & Chalin Manufacturing, Inc.  
725 E. University Dr.  
McKinney, TX 75069  
Phone: 972-838-1266  
Email: [wc-customerservice@watsonsuspensions.com](mailto:wc-customerservice@watsonsuspensions.com)

Notes:

Lined area for notes, consisting of numerous horizontal lines for writing.

*Actual product performance may vary depending upon vehicle configuration, operation, service and other factors.  
All applications must comply with applicable specifications from Watson & Chalin and the respective vehicle manufacturer.  
Contact Watson & Chalin for additional details regarding specifications, applications, capacities, and operation, service and maintenance instructions.*

**Contact Watson & Chalin at 972.547.6020 for additional information.**



**Watson & Chalin**  
725 E. University Drive, McKinney, Texas 75069  
972.547.6020 • 800.445.0736 • Fax 972.542.0097  
[www.watsonsuspensions.com](http://www.watsonsuspensions.com)

