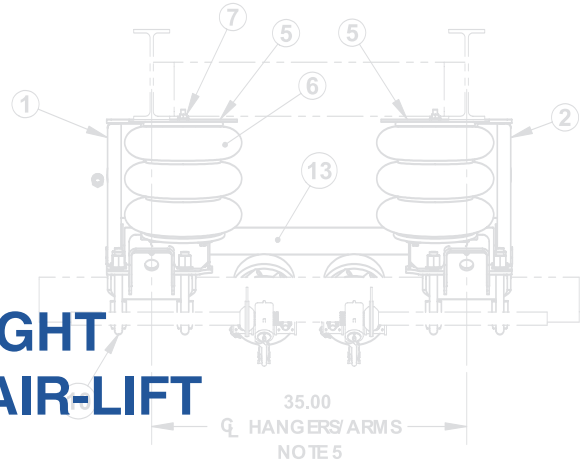


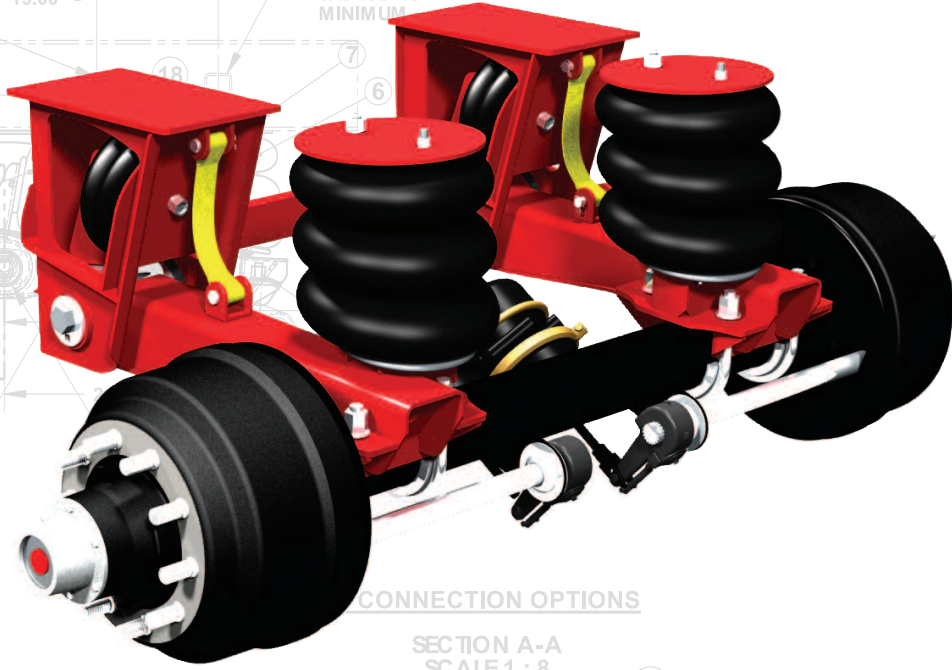
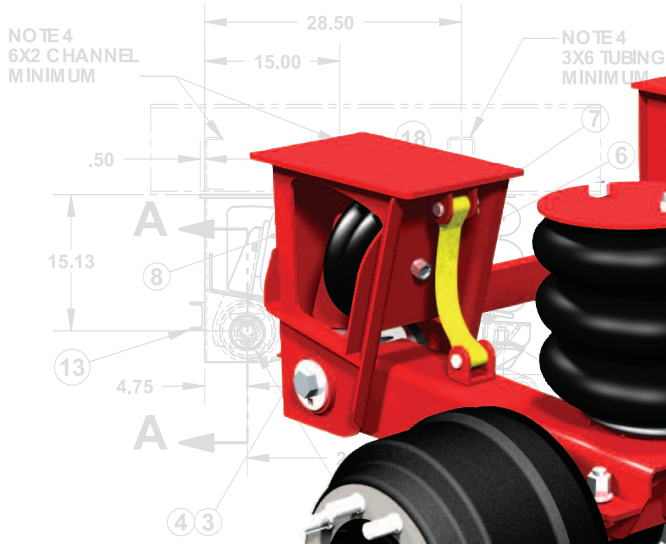


WATSON & CHALIN
MANUFACTURING INC.

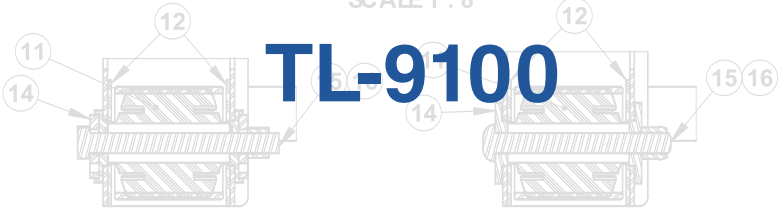
Watson Suspension Systems



LIGHT WEIGHT TRAILER-AIR/AIR-LIFT



CONNECTION OPTIONS
SECTION A-A
SCALE 1 : 8



'E' OPTION - ECCENTRIC COLLAR CONNECTION
'S' OPTION - WELDED COLLAR CONNECTION
ECCENTRIC COLLARS TO BE WELDED TO HANGER
FACTORY INSTALLED COLLARS MUST BE WELDED AFTER ALIGNMENT

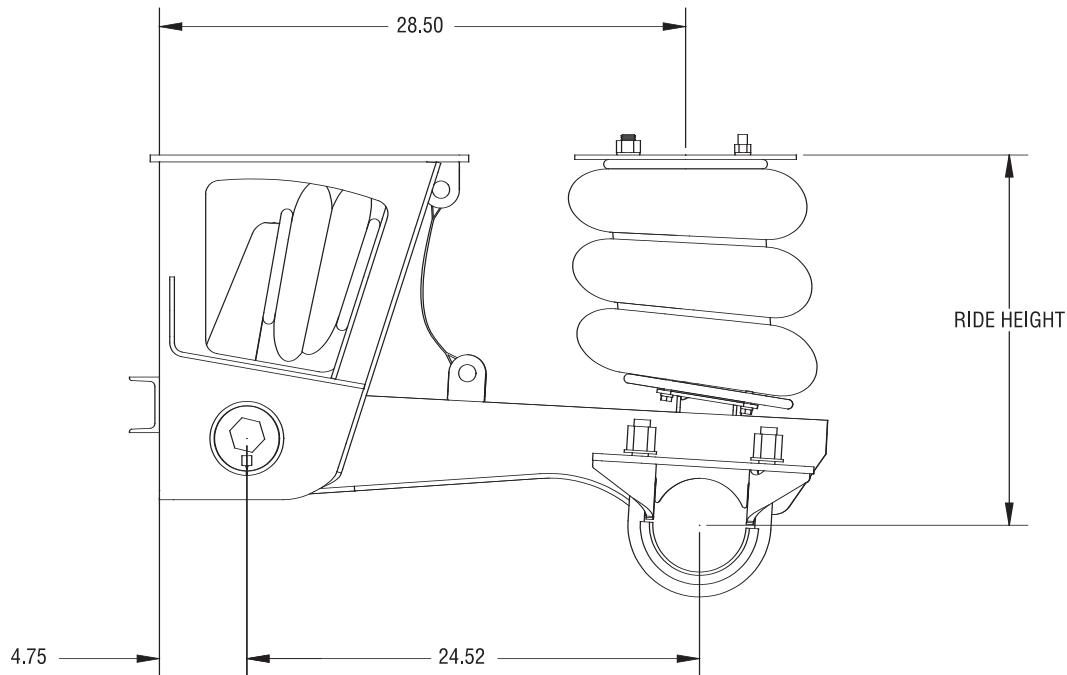
- 3 Year Warranty
- 19 - 21 in. Ride Height
- 13,200 lb. Capacity

LEADERSHIP IN SUSPENSION TECHNOLOGY

TL-9100 SERIES

LIGHT WEIGHT TRAILER-AIR/AIR-LIFT

RIDE HEIGHT: 19 - 21 IN.



- Axle Travel: 12.0 in.
- Air Ride-Air Lift
- Capacity: 13,200 lbs.
- Hardware HUCK Fasteners or Optional Eccentric Alignment
- Pre-Assembled - From Factory
- Compact in Design
- Positive Axle Stop
- Two Pin Axle Connection - Rubber Bushed



Watson Suspension Systems

972.547.6020 800.445.0736

FAX: 972.542.0097

725 E. UNIVERSITY DR. MCKINNEY, TEXAS 75069

www.WatsonSuspensions.com