

4

3

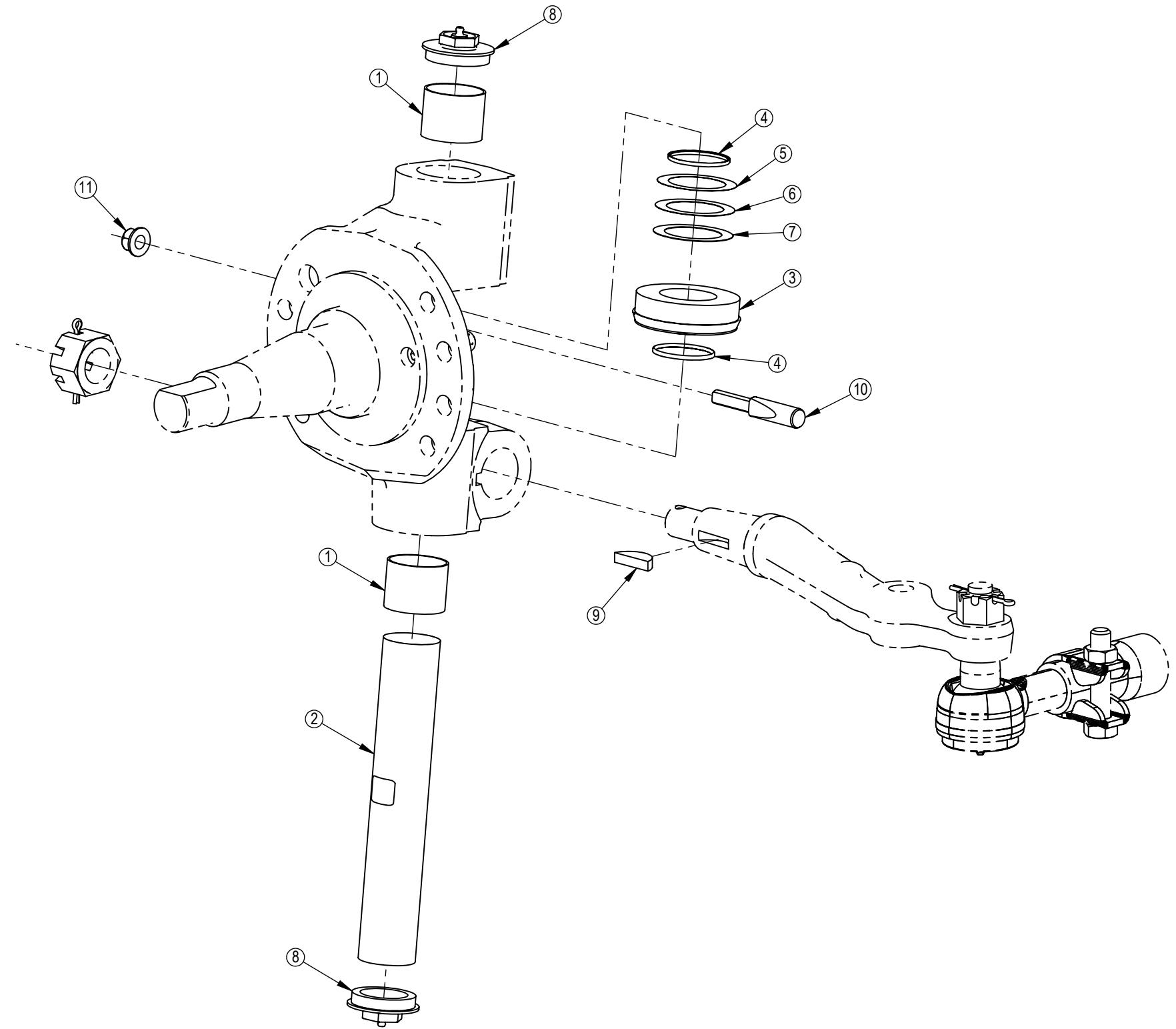
2

1

REV.	DESCRIPTION	CN	DATE	DRWN BY	CHKD BY
A	NEW DRAWING	-	-	-	-
B	REVISED MODEL AND DRAWING	401770	10/06/2016	CRM	MRB

B

B



A

A

ITEM NO.	QTY.	PART NUMBER	DESCRIPTION
1	4	143622-0011	KING PIN BUSHING
2	2	143660-0012	KING PIN 13K WESTPORT
3	2	A1228E1305	THRUST BEARING
4	4	143623-0007	KING PIN SEAL
5	4	143624-0017	SHIM 0.015 (AS REQ'D)
6	4	143624-0016	SHIM 0.010 (AS REQ'D)
7	4	143624-0015	SHIM 0.005 (AS REQ'D)
8	4	143661-0008	CAP KING PIN
9	2	143699-0108627	WOODRUFF KEY
10	2	143663-0008	DRAW KEY
11	2	143699-0062	NUT LOCK PIN

ALL WATSON AND CHALIN INTELLECTUAL PROPERTY & PROPRIETARY INFORMATION IS PROTECTED BY U.S. & INTERNATIONAL COPYRIGHT LAWS. ANY USE WITHOUT THE EXPRESS WRITTEN PERMISSION OF WATSON AND CHALIN IS PROHIBITED.	UNLESS OTHERWISE SPECIFIED DIM ARE IN INCHES TOL ON ANGLES $\pm 1.0^\circ$ X.X $\pm .1$ X.XX $\pm .06$ X.XXX $\pm .030$ INTERPRET DIM AND TOL PER ASME Y14.5-2009	THIRD ANGLE PROJECTION DIMENSIONS ADHERE TO ASME Y14.5-2009	STEEL PART NO. -	SUSPENSION MODEL: SL11XX	DATE: 08/04/2008	SCALE: 1:4	WEIGHT: -	WATSON AND CHALIN MANUFACTURING INC 725 EAST UNIVERSITY DRIVE MCKINNEY TEXAS 75069	
			PERIMETER -	PREVIOUS ASSY: -	DRAWN BY: TLK	SIZE: B	SHEET: 1 OF 1	TITLE: KNUCKLE KIT 13K WESTPORT	DWG NO. SRK112

4

3

2

1