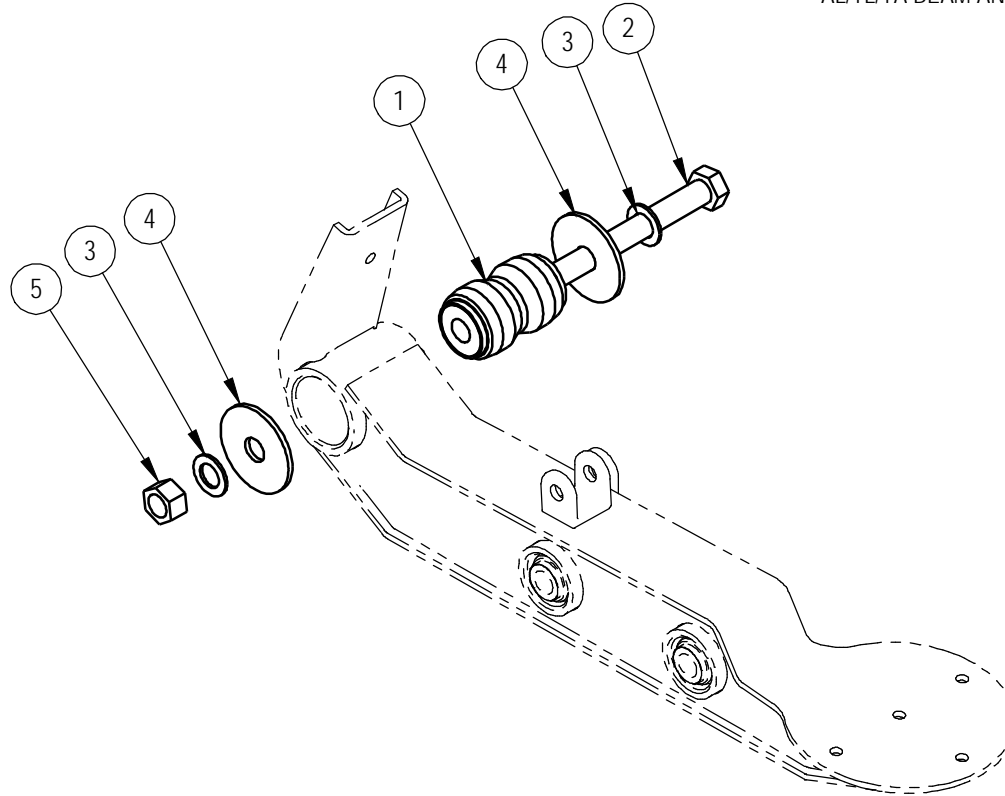


REV.	DESCRIPTION	ECN	DATE	BY
A	NEW DRAWING	C-4261	10/23/2006	TEG
B	ITEM # 1 WAS 19040F-113,ADD ITEM #5	C4979	10/17/2007	JFF
C	ADDED NEW CHART WITH HARDWARE ONLY	C-5156	2/6/2008	DRB
D	SRK01 ITM #5 QTY WAS 2, -01 ITM #4QTY WAS 2	C5434	5/14/2008	JFF
E	ADDED EXPLODED VIEW; REMOVED OLD CHARTS ADDED NEW	C-5621	7/17/2008	TLK

ITEM NO.	QTY	PART NO.	DESCRIPTION
1	2	CHART	PIVOT BSHG 3.5 OD X 1.125
2	2	11225	CAPSCREW 1.12X9.75 UNF GR8
3	4	10045	WASHER FLAT 1.12 HARDENED
4	4	11222	FLAT WASHER 4.25ID X 1.15OD
5	2	10023	NUT LOCK 1.12 UNF

AL/TL/TA BEAM AND MAINTENANCE HARDWARE KIT

E



DEPTS AFFECTED	TOLERANCES (EXCEPT AS NOTED)	DESCRIPTION: SRK KIT	
7300	DECIMAL ± .03	PREVIOUS ASSY:	N/A
	FRACTIONAL ± 1/32	SUSPENSION MODEL:	VARIES
	ANGULAR ± 0.5°	SCALE:	1:12
		DATE:	10/23/06
		DRAWN BY:	TEG
		SIZE:	A
		DRAWING NO:	SRK01



REPAIR KIT	NOTE:	ITEM #1
SRK01	WITH BUSHING	10050
SRK01-01	WITHOUT BUSHING	N/A