

W&C STL13 ORDERING GUIDE

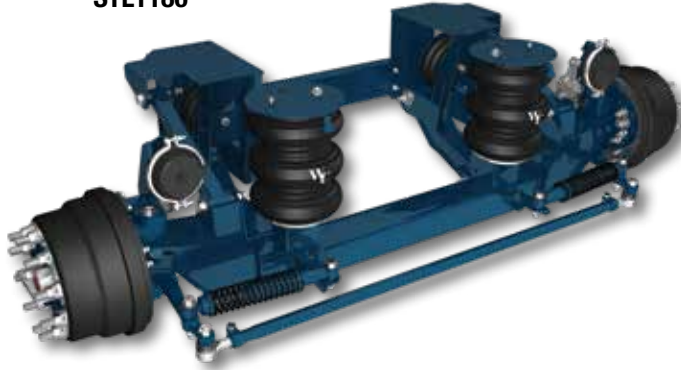
This ORDERING GUIDE is intended to assist you in the selection of W&C STL Series Lift Axles for Trailer (13K, Steerable).

For comprehensive information on other available W&C models, options and pricing, contact W&C CUSTOMER SERVICE at 800.445.0736 (US and Canada) or wc-customerservice@wcsuspensions-intl.com. Your W&C Customer Service Representative can help you complete this form.

COMPANY:		NAME:	
EMAIL:		TELEPHONE / FAX:	

WARNING! FAILURE TO PROVIDE **ALL** OF THE INFORMATION REQUESTED IN THIS FORM WILL PREVENT W&C FROM PROVIDING YOU WITH A CONFIGURED PART AND PRICE QUOTE. EACH STEP IN THIS FORM REQUIRES YOUR INPUT!

STL1186

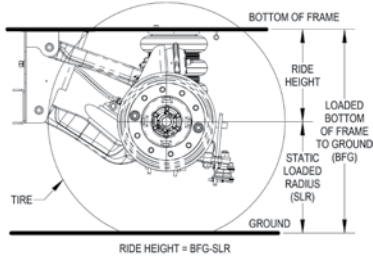


STL1191 / 1195



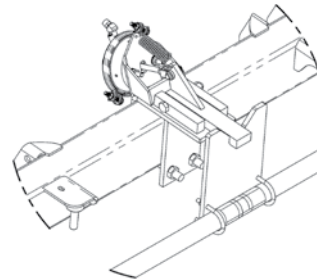
RIDE HEIGHT

<input type="checkbox"/> 7.00-11.00	<input type="checkbox"/> 11.00-15.00	<input type="checkbox"/> 11.00
<input type="checkbox"/> 8.00-12.00	<input type="checkbox"/> 12.00-16.00	<input type="checkbox"/> 12.00
<input type="checkbox"/> 9.00-13.00	<input type="checkbox"/> 13.00-17.00	<input type="checkbox"/> 13.00
<input type="checkbox"/> 10.00-14.00	<input type="checkbox"/> 14.00-18.00	<input type="checkbox"/> 14.00
<input type="checkbox"/> 11.00-15.00	<input type="checkbox"/> 15.00-19.00	<input type="checkbox"/> 15.00
	<input type="checkbox"/> 16.00-20.00	<input type="checkbox"/> 16.00
	<input type="checkbox"/> 17.00-21.00	<input type="checkbox"/> 17.00
	<input type="checkbox"/> 18.00-22.00	<input type="checkbox"/> 18.00
	<input type="checkbox"/> 19.00	
	<input type="checkbox"/> 20.00	
	<input type="checkbox"/> 21.00	



LOCKOUT OPTION

- NONE (STANDARD) INSTALLED

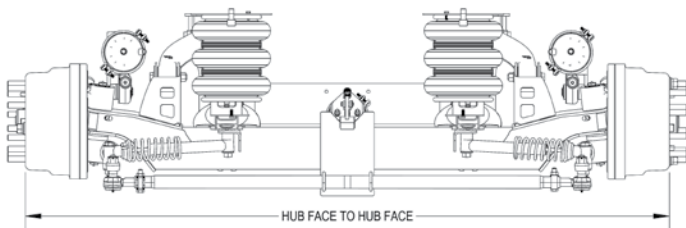


PRE-PLUMBED OPTION

- NONE (STANDARD)
- INSTALLED (SEE PPAK50)
- CONTROL (PUSH/PULL & REG. IN WEATHER BOX)

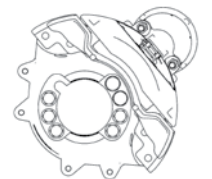
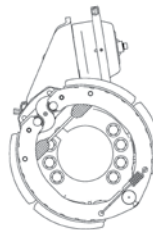
TRAILER WIDTH

- 92.00" (96" WIDE TRAILER) 97.00" (102" WIDE TRAILER)



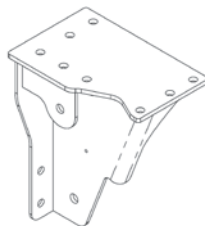
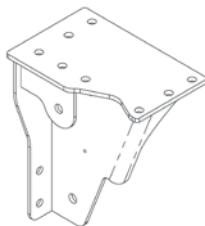
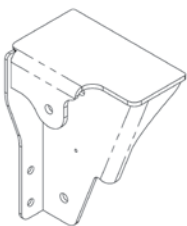
BRAKE OPTION

- DRUM BRAKE (STANDARD) AIR DISC BRAKE



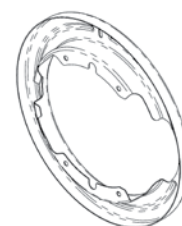
FRAME BRACKET TYPE

- WELD-ON (STANDARD) BOLT-ON (BLACK PRIMER) BOLT-ON (GALVANIZED)



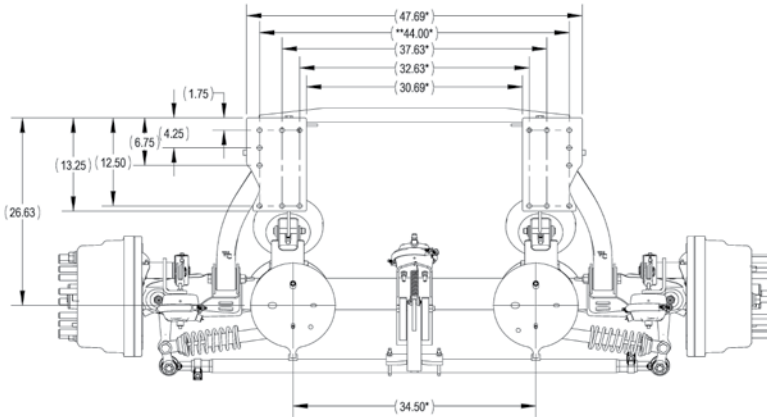
DUST SHIELD OPTION

- NONE (STANDARD) INSTALLED

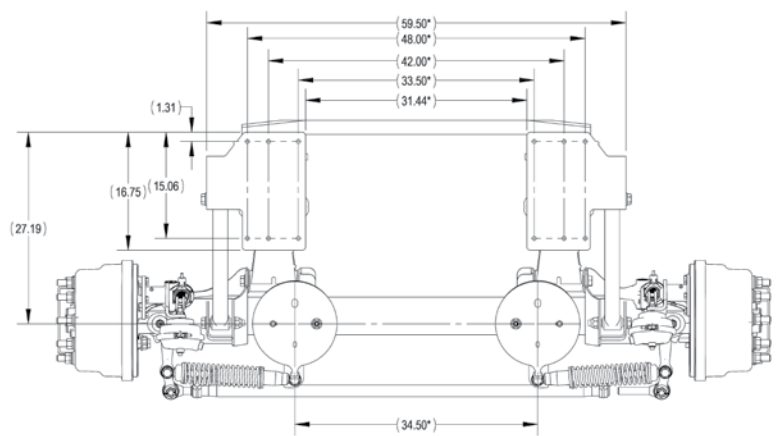


☐ DRUM BRAKE WHEEL-END			☐ DISC BRAKE WHEEL-END	
	☐ STANDARD	☐ CONMET PRESET PLUS	☐ LESS WHEEL-END	☐ CONMET PRESET PLUS
HUB MATERIAL	☐ DUCTILE IRON (STANDARD) ☐ ALUMINUM	☐ DUCTILE IRON (STANDARD) ☐ ALUMINUM	N/A	☐ DUCTILE IRON (STANDARD) ☐ ALUMINUM
DRUM MATERIAL	☐ DUCTILE IRON (STANDARD) ☐ LIGHT WEIGHT	☐ DUCTILE IRON (STANDARD) ☐ LIGHT WEIGHT	N/A	N/A
HUB STYLE	HUB PILOT	HUB PILOT	N/A	HUB PILOT
NUMBER OF STUDS - BOLT CIRCLE DIA.	☐ 10" - 11.25"	☐ 10" - 11.25"	N/A	☐ 10" - 11.25"
LUBE INSTALLED	☐ YES ☐ NO	INSTALLED	N/A	INSTALLED
LUBE TYPE	☐ SAE 80/90 (STANDARD) ☐ SYNTHETIC 75W/90	☐ SAE 80/90 (STANDARD) ☐ SYNTHETIC 75W/90	N/A	☐ SAE 80/90 (STANDARD) ☐ SYNTHETIC 75W/90
ABS TONE RINGS	INSTALLED	INSTALLED	N/A	INSTALLED

STL119X BOLT-ON DIMENSIONS



STL1186 BOLT-ON DIMENSIONS



* DIMS SHOWN FOR 97" HF/HF. SUBTRACT 5" TO DIM FOR 92" HF/HF
 ** OUTSIDE TO OUTSIDE TRAILER FRAME MAY NOT BE WIDER THAN THIS DIMENSION TO CLEAR ARM WHEN LIFTED.

NOTES

Contact Watson & Chalin at 972.547.6020 for additional information.



W&C
 725 E. University Drive, McKinney, Texas 75069
 972.547.6020 • 800.445.0736 • Fax 972.542.0097
www.wcsuspensions-intl.com

