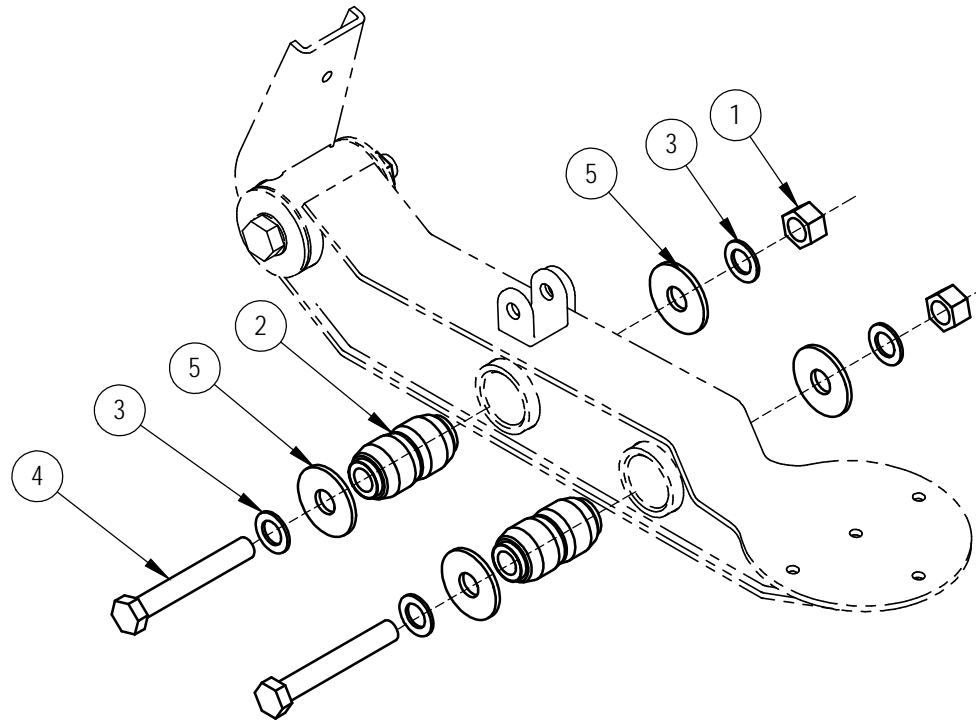


REV.	DESCRIPTION	ECN	DATE	BY
A	NEW DRAWING	C-4261	10/23/2006	TEG
B	ITEM #1 WAS 19040F-113,3 WAS 11222	C4979	12/3/2007	JFF
C	ADDED ITEM #5	C5524	6/6/2008	JFF
D	UPDATED BOM; ADDED EXPLODED VIEW	C-5621	7/25/2008	TLK
E	INSERTED CORRECT MODEL	C-6081	1/16/2009	TLK



△

ITEM	PART NO.	QTY	DESCRIPTION
1	10023 △ _B	4	NUT TOPLOCK 1.12
2	10050	4	AXLE SEAT BUSHING
3	10045 △ _B	8	WASHER HARDENED 1.12
4	11225	4	CAPSCREW 1.12X 9.75
5	11222 △ _C	8	WASHER FLAT 1.12

	TOLERANCES (EXCEPT AS NOTED)	DESCRIPTION: SRK KIT	
7300	DECIMAL ± .03	PREVIOUS ASSY: VARIES	
	FRACTIONAL ± 1/32	SUSPENSION MODEL: VARIES	SCALE: 1:8
	ANGULAR ± 0.5°	DATE: 10/23/06	DRAWN BY: TEG
		SIZE: A	DRAWING NO: SRK10

